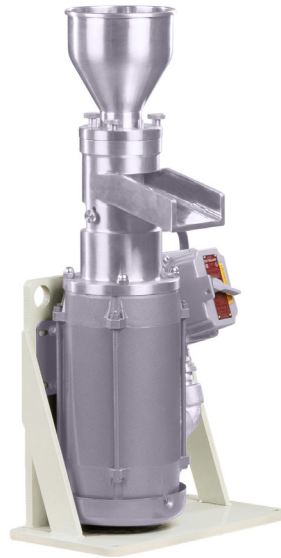


230 Series

Stone mills

Since 1925, MorehouseCowles stone mills have proven to be the most reliable and efficient way to process hundreds of different materials from food, cosmetics, and ceramics to paints, inks and grease.

Our stone mills break down a product or mixture to very small particle sizes. They offer grinding technology for dry to liquid processing where 100% of the material passes through the milling surfaces for superior consistency and performance.



230 Standard



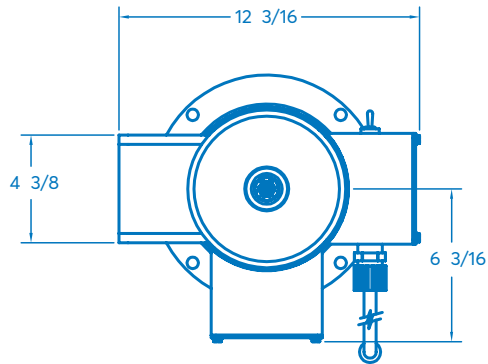
230 SS

SPECIFICATIONS

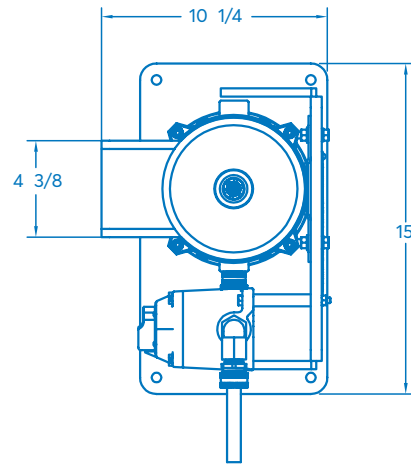
| | 230 Standard | 230 Stainless Steel |
|---------------------------------|---|---|
| THROUGHPUT GAL/HR* | - 1 to 1.5 | - 1 to 1.5 |
| MOTOR: | 1 hp - 3600 RPM, 115/230 volt, 60 Hz, 1 phase - TEFC Class I, Division 1, Group D (explosion proof) - Across the line single speed | 1 hp - 3600 RPM, 115/230 volt, 60 Hz, 1 phase - TEFC (non-explosion proof) - Stainless Steel motor - Across the line single speed |
| DRIVE | - Direct coupled - Single full speed | - Direct coupled - Single full speed |
| SPINDLE | - 316 stainless steel | - 316 stainless steel |
| SPINDLE SPEED | - 3600 RPM | - 3600 RPM |
| STONES | - 2" diameter, 54 & 80 grit | - 2" diameter, 54, 60, 80 & 100 grit |
| PRODUCT FEED | - Funnel or optional NPT threaded inlet or Tri-clover adaptor | |
| UTILITIES REQUIRED | - Electrical power 1 phase | - Electrical power 1 phase |
| DIMENSIONS (WITH FUNNEL) | - 15" L X 10 1/4" W X 30" H | - 13" L X 9 1/4" W X 28" H |
| SPECIAL FEATURES | - Precision adjustment wheel - permits precise stone clearance adjustment within 0.001" for consistent processing - Dual-bearing spindle - allows positive, stable alignment of stones, connected to motor with flexible coupling for longer bearing life - Water-jacketed frame - permits optional heating or cooling of the process chamber - Collet lock - maintains exact adjustment, minimizes vibration - Quiet high-speed operation - Easy-to-clean process chamber | |
| CONSTRUCTION | - All parts in contact with product are 316 stainless steel, except for aluminum oxide stones - All non-wetted parts are 304 stainless steel construction - 304 stainless steel base with mill finish | |

MorehouseCowles stone mills feature a very simple design and process with extra heavy-duty construction that has earned them a reputation as the "reliable workhorse". This long-lasting reliability is only possible by using the finest materials and construction techniques. The highly polished inner surfaces facilitate easy cleaning in sanitary applications and fast product or color changes.

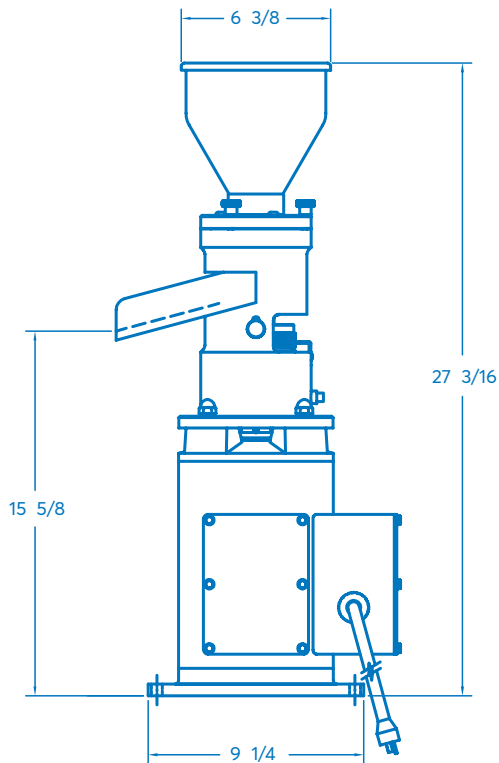
230SS top view



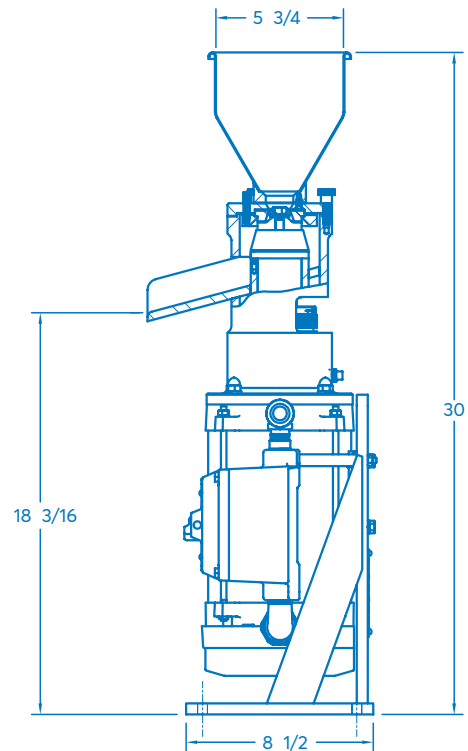
230 standard top view



230SS side view



230 standard side-view



Made in the USA

For more information, visit morehousecowles.com or contact MorehouseCowles experts today at sales@morehousecowles.com or +1 (909) 627 7222.